

RI-8 Relay Card

Specifications:

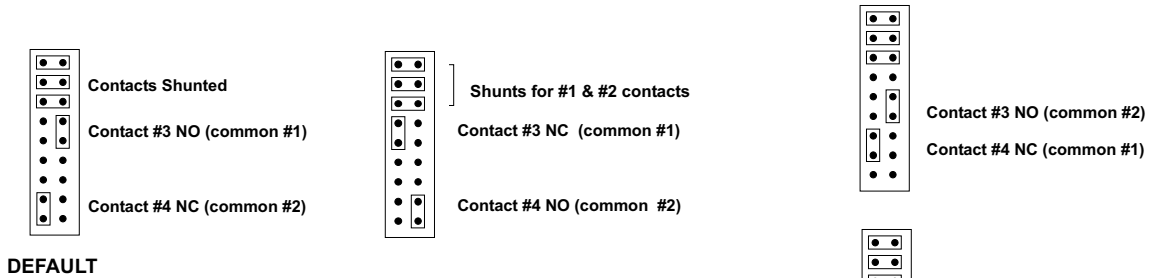
- Size.....3.6875" by 10"
- Weight.....18 ounces
- Number of relays.....8
- Contact rating.....5 amp 250 VAC 1/10 HP 3 amp 30 VDC (the voltage/current capacity of the circuit tracks has not been evaluated)
- Contact type.....4 Pole Double Throw (1 contact set shunted*) contacts configuration selectable
- Power requirements...12 Volt DC 750ma

NOTE: One RI-8 relay card and one AR-16 relay interface may be powered from a single supply if a 12 VDC 1 amp power supply is used. Connect the one amp supply to the (+) and (-) terminals on both the RI-8 and the AR-16. Do not use the terminal marked (1) on the AR-16 to supply power to the RI-8 through the ribbon cable (the cable could be damaged by the high load).

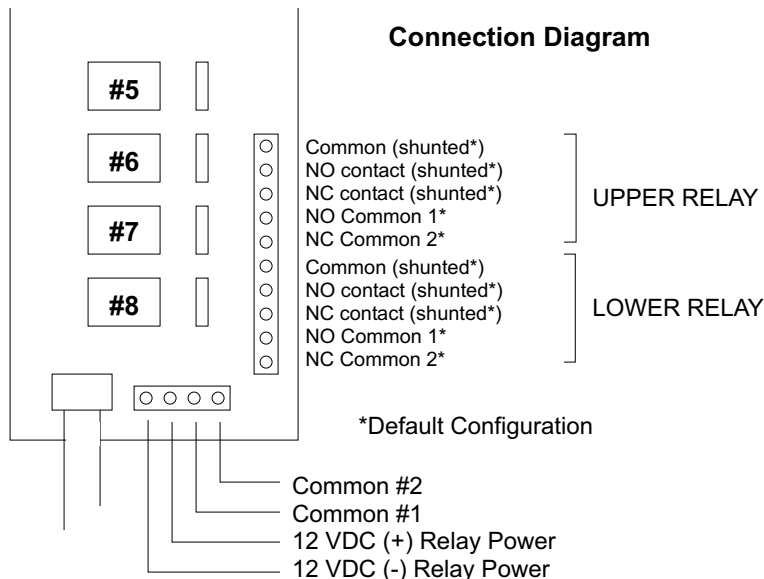
CAUTION: Be sure to observe the correct polarity when you connect the power supply to the relay card or damage to the relay card may result. The ribbon cable should be connected to the AR-16 or EX-16 with the ribbon pointing up.

CONTACT CONFIGURATION:

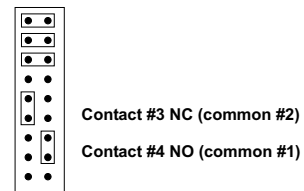
The last two contact sets of each relay may be reconfigured for normally open or normally closed contacts by installing the shunts as shown below. The contacts may also be connected to either the #1 common or the #2 common as shown. The first two contact sets are shunted together but may be isolated by removing the shunts. An auxiliary terminal block is available to provide an isolated connection to all of the 12 contacts on each relay if required.



DEFAULT



*Default Configuration



OPTIONS FOR THE RI-8

- Auxiliary Terminal Blocks
- Relay Sockets
- LED Relay Indicator lamps
- Detachable 10 Position Terminal Blocks or Heavy Duty Terminal Blocks
- Detachable Ribbon Cable with Terminal Block in place of Edge Connector
- Please contact Tech Support for more information. (614) 464-4470

The above terminal configuration is the same for relays 1 through 6.