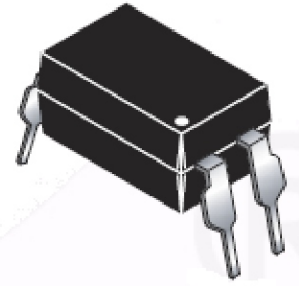


RLY-SPST-4A Miniature Solid State Relay



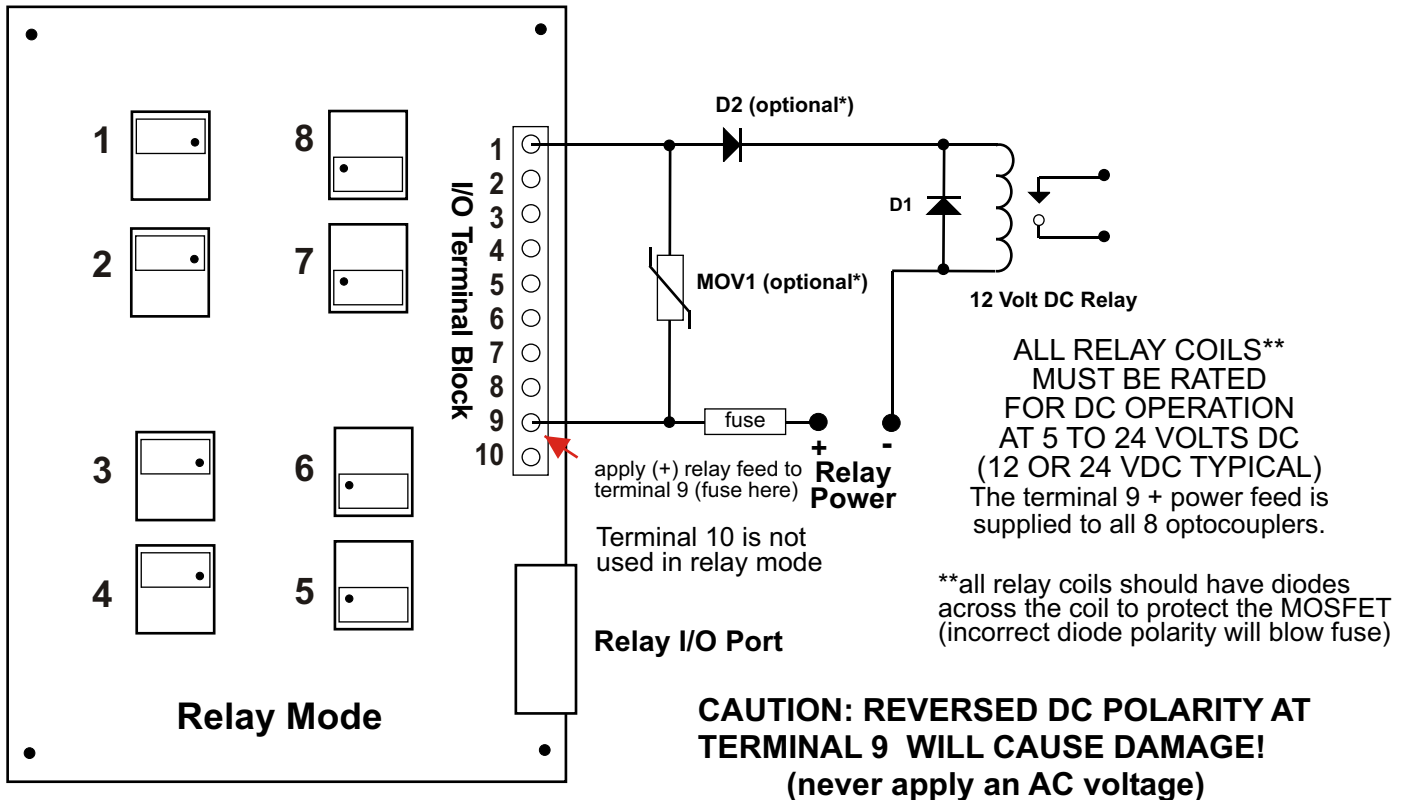
SPST Miniature Solid State Relay 4 amp (1-Form-A) 24 volts DC (rated 2 amp* above 12 volts)
 Replaces Optocoupler to provide high current MOSFET output (DC only)
 Isolation Voltage: 2,500 Vrms (min)
 UL Approved *continuous current above two amps may reduce reliability

Typical Application when used to power relays with the EX-8M or EXM-16 relay modules

Please note that all photo transistor outputs on the EX-8M and EXM-16 have a stock 200ma protection diode in series with the output. If your output current can exceed 200ma (when the RLY-SPST-4A is used), this diode must be removed and bypassed. A high current diode may be used externally if reverse polarity protection is provided.

All inductive loads (such as relay coils or solenoids) should have a diode across the coil to protect the MOSFET. An additional series resistor and/or series diode may be needed to protect the MOSFET from back EMF caused by high inductive loads (in addition to the MOV).

* an additional diode/resistor (power rated as applicable) and/or a 30 volt MOV may be used for additional protection with high inductive loads or in the event that connections to the terminal blocks are altered frequently (such as in a lab environment), and to protect the MOSFET from static discharge. You may order the EX-8M or EXM-16 with the protection diodes removed at no cost.



Please contact Tech Support at (937) 349-6000 for more information.

Click for info: www.eeci.com/rly-4spstp.htm
www.eeci.com